

Shelves and baskets

Wirework baskets, wicker baskets, shelves, pull-out larder shelving, pull-out column shelving, wine racks, carousel shelves for corner cupboards.

Rails

Midway rail systems for hanging various attachments, such as utensil rack, spice rack, knife block, roll holder, book rest.

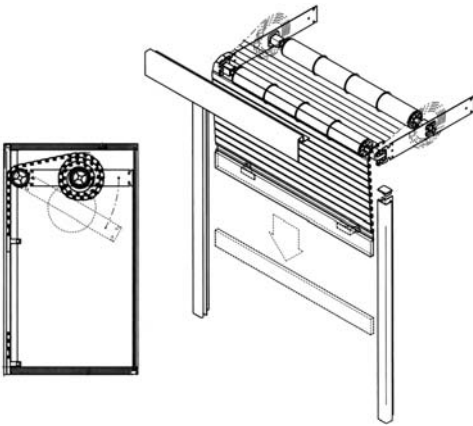
Waste bins

Door-hung bins, bins in various combinations sliding out on runners, foot-operated door opener for bin cabinet.

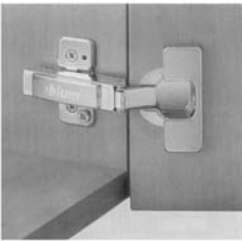
Miscellaneous

Telescopic towel rail, folding steps, first aid cabinet, radio designed to fit under standard wall cabinet.

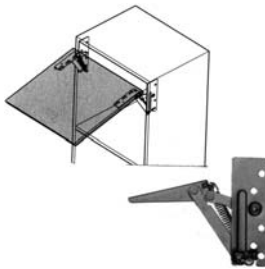
Sources: Blum, Häfele, Isaac Lord, Woodfit



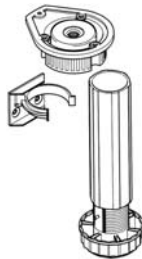
ROLLER SHUTTER
CABINET DOOR
'Tambour' system in
aluminium coated
plastic suitable for
500 and 600 mm
wide cabinets 720 or
1210 mm high



CONCEALED HINGE for
standard cabinet lay-on
doors. 120° opening angle
with spring closing mecha-
nism. Similar hinges for
100°, 107° and 170°
opening



LIFT-UP SPRING
HINGE for
flaps of top
boxes of cabi-
net tall units



ADJUSTABLE PLINTH FOOT
with clip and bracket for
fixing to plinth board

Cabinet door and support fittings